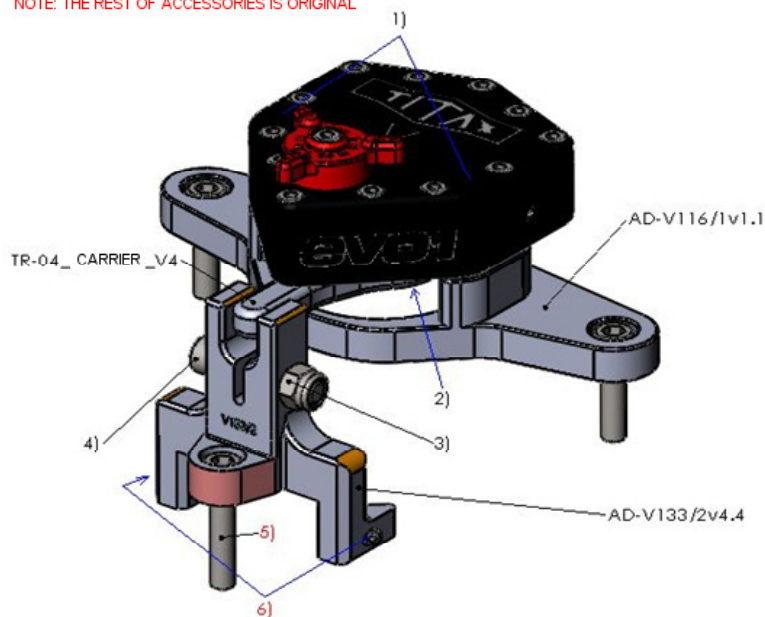


NOTE: THE REST OF ACCESSORIES IS ORIGINAL



ACCESSORIES:

- 1) 2 PCS DIN 912 M6x20, MAT. A2
- 2) 2 PCS DIN 912 M4x16, MAT. A2
- 3) 1 PC DIN 982 M6 (DIN EN ISO 7040), MAT. A2
- 4) 1 PC DIN 912 M6x30, MAT. A2
- 5) 1 PC DIN 912 M6x30, MAT. A2
- 6) 2 PCS DIN 913 M5x10

TOOLS:

- HEX. BAR WRENCH SIZE 3
- HEX. BAR WRENCH SIZE 4
- HEX. BAR WRENCH SIZE 5
- BOX END WRENCH 10

ATTENTION!

Use the screw connection tightening torques according to the original manual of the motorcycle manufacturer; namely the specific type, production year; and brand.



WARRANTY:

We highly recommend to mount any TITAX products by authorized moto dealers. TITAX is not responsible for any improper mounting and manipulation. As well as for the possible damages due to this matters mentioned above.

INFO:

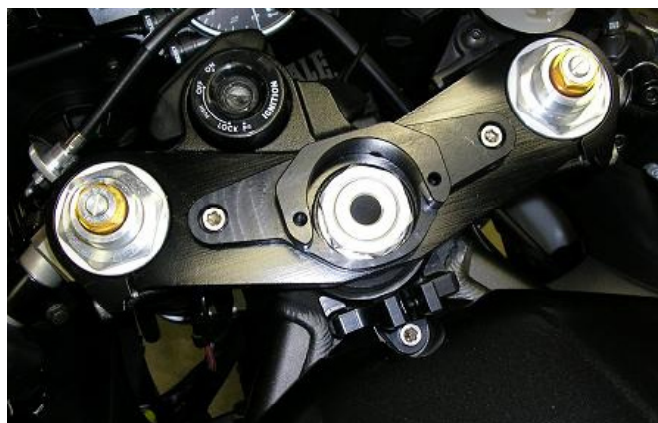
For any inquires contact your dealer or www.titax.com or dial + 420 - 571 - 420 - 685. We are at your disposal.



1. Dismount screws M6 on the „goggles“ and the tank.



2. Mount part 133/2 on the tank under the handlebars and secure with screws (5) M6x30, (6) M5x10.



3. Mount part ADV116/1 on the handlebars, tighten well with screws (5) M6x30.



4. Screw the shock absorber with two screws M6x20 (1) to part V116/1. Secure carrier TR-04 with screw M6x35 and self-locking nut M6 (3,4).